

VHDL Quick Start

Peter J. Ashenden

The University of Adelaide

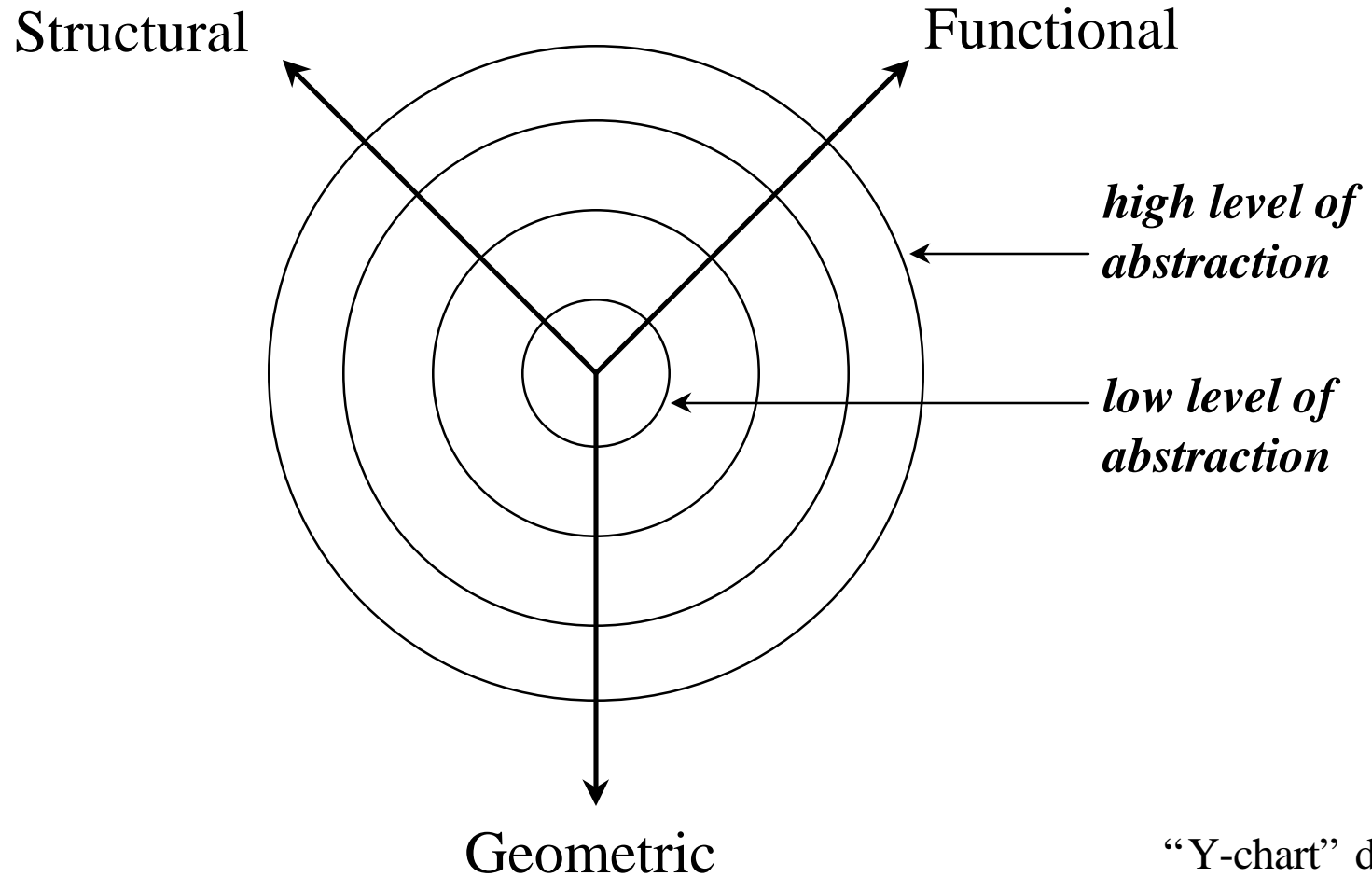
Objective

- Quick introduction to VHDL
 - basic language concepts
 - basic design methodology
- Use *The Student's Guide to VHDL* or *The Designer's Guide to VHDL*
 - self-learning for more depth
 - reference for project work

Modeling Digital Systems

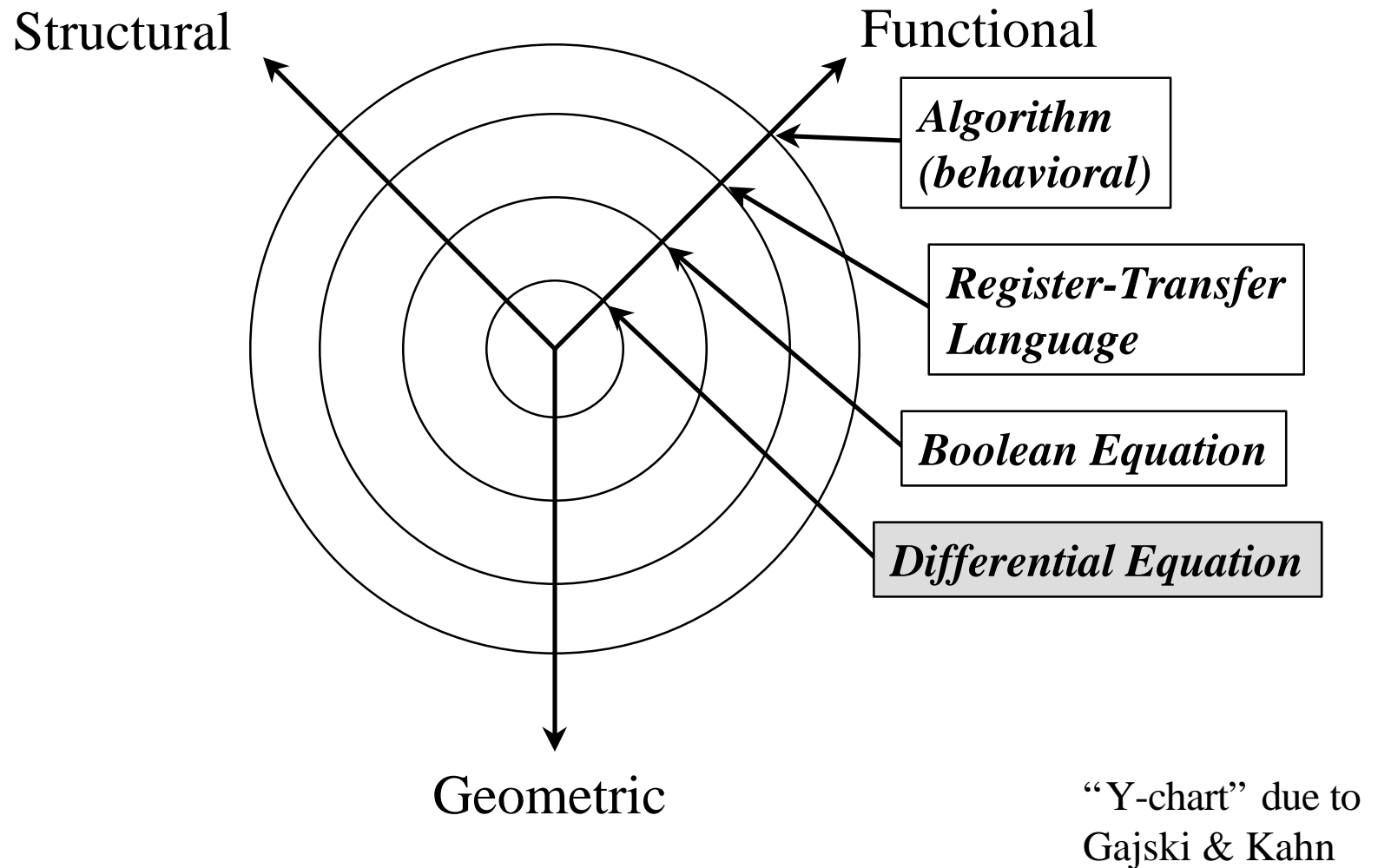
- VHDL is for writing models of a system
- Reasons for modeling
 - requirements specification
 - documentation
 - testing using simulation
 - formal verification
 - synthesis
- Goal
 - most reliable design process, with minimum cost and time
 - avoid design errors!

Domains and Levels of Modeling

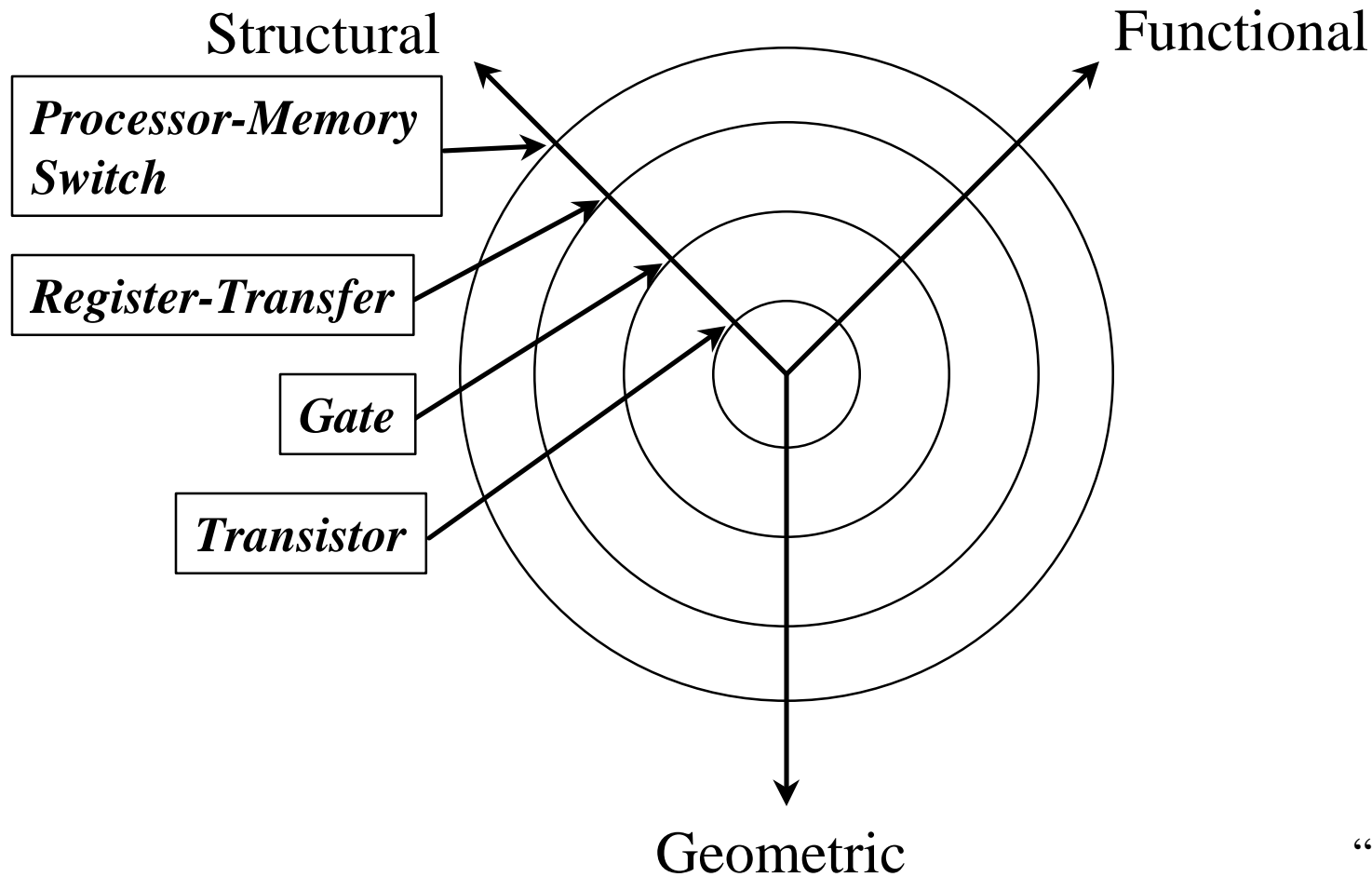


“Y-chart” due to
Gajski & Kahn

Domains and Levels of Modeling

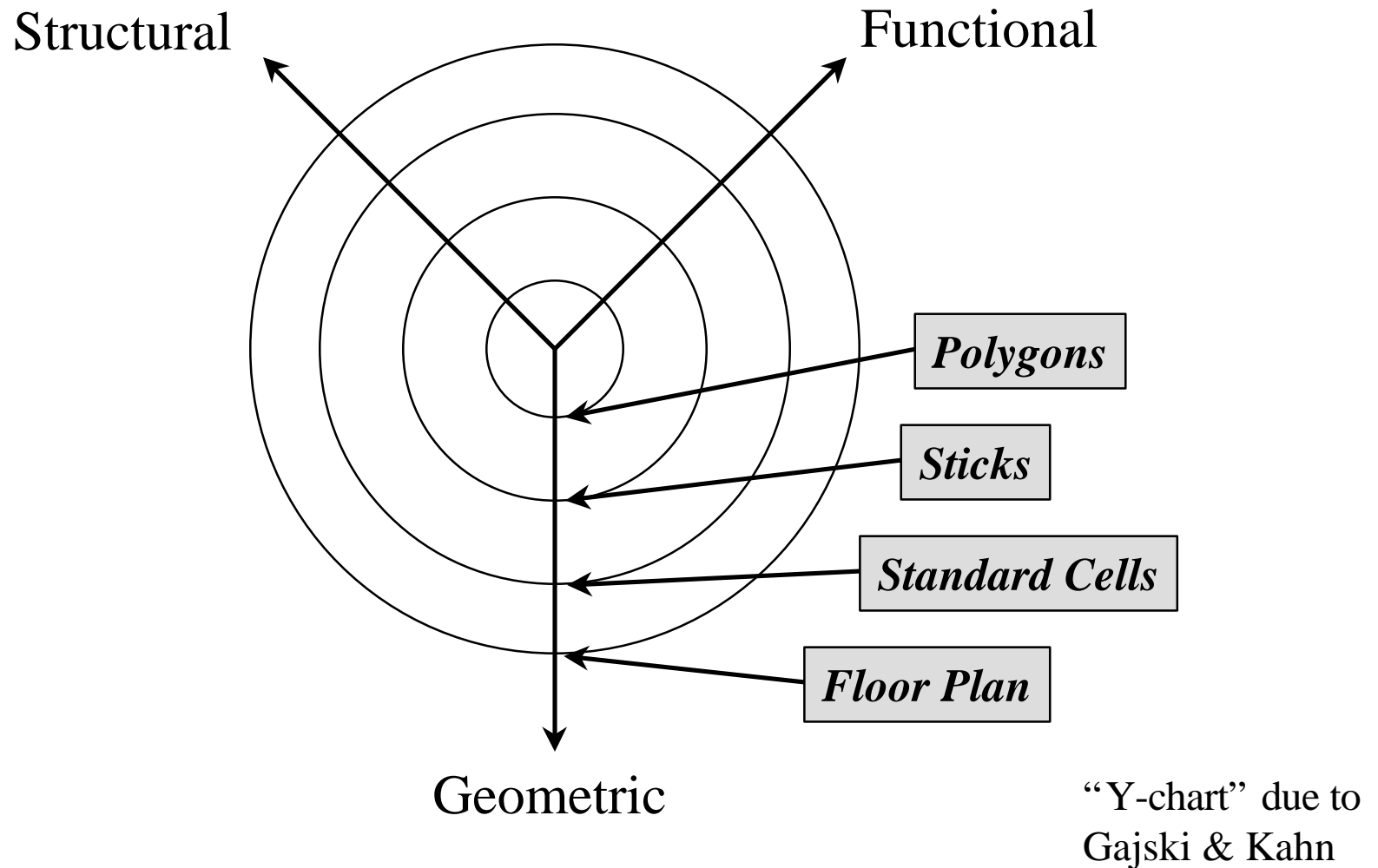


Domains and Levels of Modeling



“Y-chart” due to Gajski & Kahn

Domains and Levels of Modeling

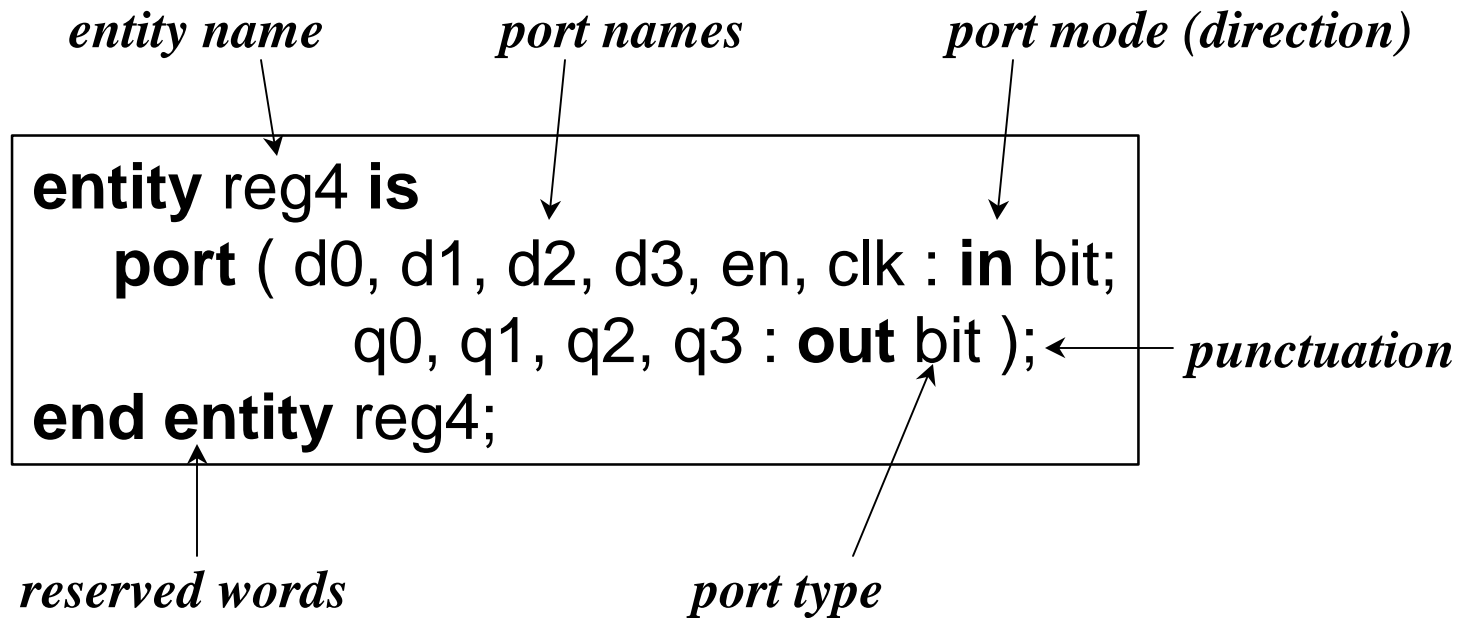


Basic VHDL Concepts

- Interfaces
- Behavior
- Structure
- Test Benches
- Analysis, elaboration, simulation
- Synthesis

Modeling Interfaces

- *Entity* declaration
 - describes the input/output *ports* of a module



VHDL-87

- Omit **entity** at end of entity declaration

```
entity reg4 is  
    port ( d0, d1, d2, d3, en, clk : in bit;  
           q0, q1, q2, q3 : out bit );  
end reg4;
```

Modeling Behavior

- *Architecture body*
 - describes an implementation of an entity
 - may be several per entity
- *Behavioral architecture*
 - describes the algorithm performed by the module
 - contains
 - *process statements*, each containing
 - *sequential statements*, including
 - *signal assignment statements* and
 - *wait statements*

Behavior Example

```
architecture behav of reg4 is  
begin  
  storage : process is  
    variable stored_d0, stored_d1, stored_d2, stored_d3 : bit;  
  begin  
    if en = '1' and clk = '1' then  
      stored_d0 := d0;  
      stored_d1 := d1;  
      stored_d2 := d2;  
      stored_d3 := d3;  
    end if;  
    q0 <= stored_d0 after 5 ns;  
    q1 <= stored_d1 after 5 ns;  
    q2 <= stored_d2 after 5 ns;  
    q3 <= stored_d3 after 5 ns;  
    wait on d0, d1, d2, d3, en, clk;  
  end process storage;  
end architecture behav;
```

VHDL-87

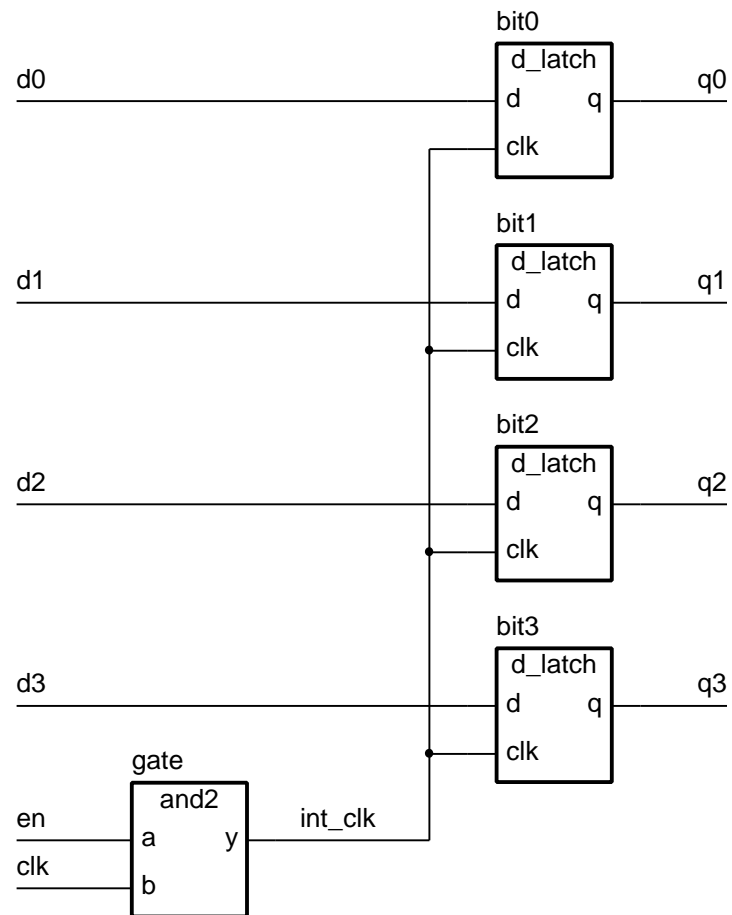
- Omit **architecture** at end of architecture body
- Omit **is** in process statement header

```
architecture behav of reg4 is  
begin  
    storage : process  
        ...  
        begin  
            ...  
        end process storage;  
end behav;
```

Modeling Structure

- *Structural* architecture
 - implements the module as a composition of subsystems
 - contains
 - *signal declarations*, for internal interconnections
 - the entity ports are also treated as signals
 - *component instances*
 - instances of previously declared entity/architecture pairs
 - *port maps* in component instances
 - connect signals to component ports
 - *wait statements*

Structure Example



Structure Example

- First declare D-latch and and-gate entities and architectures

```
entity d_latch is  
    port ( d, clk : in bit; q : out bit );  
end entity d_latch;  
  
architecture basic of d_latch is  
begin  
    latch_behavior : process is  
    begin  
        if clk = '1' then  
            q <= d after 2 ns;  
        end if;  
        wait on clk, d;  
    end process latch_behavior;  
end architecture basic;
```

```
entity and2 is  
    port ( a, b : in bit; y : out bit );  
end entity and2;  
  
architecture basic of and2 is  
begin  
    and2_behavior : process is  
    begin  
        y <= a and b after 2 ns;  
        wait on a, b;  
    end process and2_behavior;  
end architecture basic;
```


Structure Example

- Now use them to implement a register

```
architecture struct of reg4 is  
    signal int_clk : bit;  
begin  
    bit0 : entity work.d_latch(basic)  
        port map ( d0, int_clk, q0 );  
    bit1 : entity work.d_latch(basic)  
        port map ( d1, int_clk, q1 );  
    bit2 : entity work.d_latch(basic)  
        port map ( d2, int_clk, q2 );  
    bit3 : entity work.d_latch(basic)  
        port map ( d3, int_clk, q3 );  
    gate : entity work.and2(basic)  
        port map ( en, clk, int_clk );  
end architecture struct;
```

VHDL-87

- Can't directly instantiate entity/architecture pair
- Instead
 - include *component declarations* in structural architecture body
 - templates for entity declarations
 - instantiate components
 - write a *configuration declaration*
 - binds entity/architecture pair to each instantiated component

Structure Example in VHDL-87

- First declare D-latch and and-gate entities and architectures

```
entity d_latch is  
    port ( d, clk : in bit; q : out bit );  
end d_latch;  
  
architecture basic of d_latch is  
begin  
    latch_behavior : process  
    begin  
        if clk = '1' then  
            q <= d after 2 ns;  
        end if;  
        wait on clk, d;  
    end process latch_behavior;  
end basic;
```

```
entity and2 is  
    port ( a, b : in bit; y : out bit );  
end and2;  
  
architecture basic of and2 is  
begin  
    and2_behavior : process  
    begin  
        y <= a and b after 2 ns;  
        wait on a, b;  
    end process and2_behavior;  
end basic;
```

Structure Example in VHDL-87

- Declare corresponding components in register architecture body

```
architecture struct of reg4 is  
    component d_latch  
        port ( d, clk : in bit; q : out bit );  
    end component;  
    component and2  
        port ( a, b : in bit; y : out bit );  
    end component;  
    signal int_clk : bit;  
  
    ...
```

Structure Example in VHDL-87

- Now use them to implement the register

```
...  
begin  
    bit0 : d_latch  
        port map ( d0, int_clk, q0 );  
    bit1 : d_latch  
        port map ( d1, int_clk, q1 );  
    bit2 : d_latch  
        port map ( d2, int_clk, q2 );  
    bit3 : d_latch  
        port map ( d3, int_clk, q3 );  
    gate : and2  
        port map ( en, clk, int_clk );  
end struct;
```

Structure Example in VHDL-87

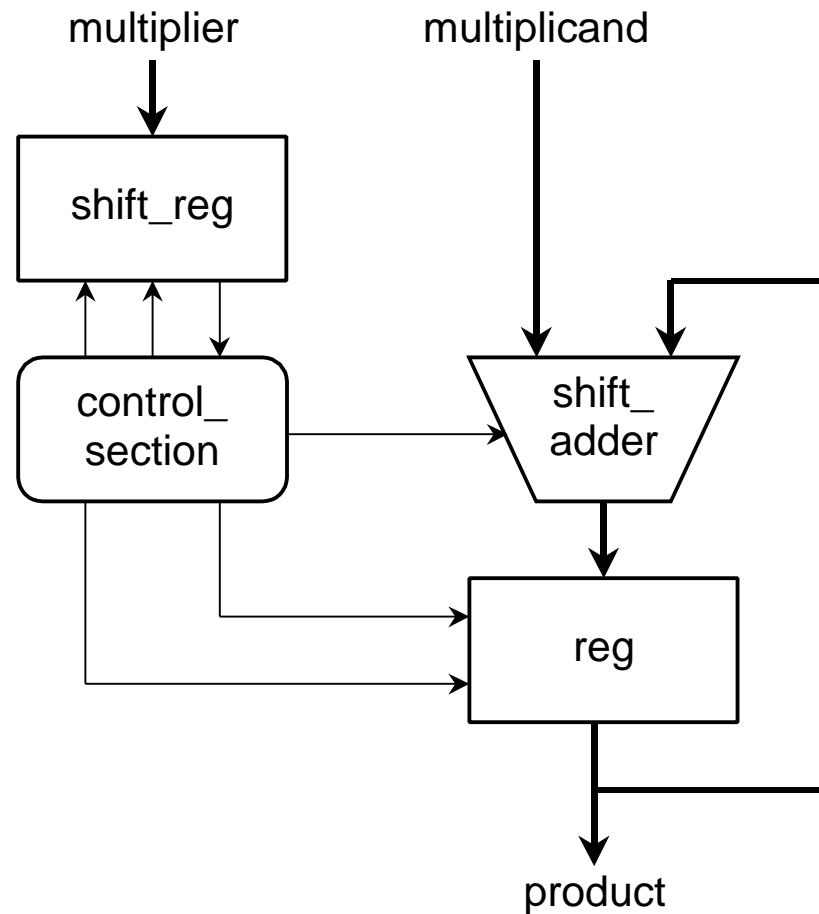
- Configure the register model

```
configuration basic_level of reg4 is  
  for struct  
    for all : d_latch  
      use entity work.d_latch(basic);  
    end for;  
    for all : and2  
      use entity work.and2(basic)  
    end for;  
  end for;  
end basic_level;
```

Mixed Behavior and Structure

- An architecture can contain both behavioral and structural parts
 - process statements and component instances
 - collectively called *concurrent statements*
 - processes can read and assign to signals
- Example: register-transfer-level model
 - data path described structurally
 - control section described behaviorally

Mixed Example



Mixed Example

```
entity multiplier is
  port ( clk, reset : in bit;
         multiplicand, multiplier : in integer;
         product : out integer );
end entity multiplier;

architecture mixed of multiplier is
  signal partial_product, full_product : integer;
  signal arith_control, result_en, mult_bit, mult_load : bit;
begin
  arith_unit : entity work.shift_adder(behavior)
    port map ( addend => multiplicand, augend => full_product,
              sum => partial_product,
              add_control => arith_control );

  result : entity work.reg(behavior)
    port map ( d => partial_product, q => full_product,
              en => result_en, reset => reset );

  ...
```

Mixed Example

```
...
multiplier_sr : entity work.shift_reg(behavior)
  port map ( d => multiplier, q => mult_bit,
            load => mult_load, clk => clk );
product <= full_product;

control_section : process is
  -- variable declarations for control_section
  -- ...
begin
  -- sequential statements to assign values to control signals
  -- ...
  wait on clk, reset;
end process control_section;
end architecture mixed;
```

Test Benches

- Testing a design by simulation
- Use a *test bench* model
 - an architecture body that includes an instance of the design under test
 - applies sequences of test values to inputs
 - monitors values on output signals
 - either using simulator
 - or with a process that verifies correct operation

Test Bench Example

```
entity test_bench is  
end entity test_bench;  
  
architecture test_reg4 of test_bench is  
    signal d0, d1, d2, d3, en, clk, q0, q1, q2, q3 : bit;  
begin  
    dut : entity work.reg4(behav)  
        port map ( d0, d1, d2, d3, en, clk, q0, q1, q2, q3 );  
    stimulus : process is  
    begin  
        d0 <= '1'; d1 <= '1'; d2 <= '1'; d3 <= '1'; wait for 20 ns;  
        en <= '0'; clk <= '0'; wait for 20 ns;  
        en <= '1'; wait for 20 ns;  
        clk <= '1'; wait for 20 ns;  
        d0 <= '0'; d1 <= '0'; d2 <= '0'; d3 <= '0'; wait for 20 ns;  
        en <= '0'; wait for 20 ns;  
        ...  
        wait;  
    end process stimulus;  
end architecture test_reg4;
```

Regression Testing

- Test that a refinement of a design is correct
 - that lower-level structural model does the same as a behavioral model
- Test bench includes two instances of design under test
 - behavioral and lower-level structural
 - stimulates both with same inputs
 - compares outputs for equality
- Need to take account of timing differences

Regression Test Example

```
architecture regression of test_bench is
  signal d0, d1, d2, d3, en, clk : bit;
  signal q0a, q1a, q2a, q3a, q0b, q1b, q2b, q3b : bit;
begin
  dut_a : entity work.reg4(struct)
    port map ( d0, d1, d2, d3, en, clk, q0a, q1a, q2a, q3a );
  dut_b : entity work.reg4(behav)
    port map ( d0, d1, d2, d3, en, clk, q0b, q1b, q2b, q3b );
  stimulus : process is
  begin
    d0 <= '1'; d1 <= '1'; d2 <= '1'; d3 <= '1'; wait for 20 ns;
    en <= '0'; clk <= '0'; wait for 20 ns;
    en <= '1'; wait for 20 ns;
    clk <= '1'; wait for 20 ns;
    ...
    wait;
  end process stimulus;
  ...
```

Regression Test Example

```
...  
verify : process is  
begin  
    wait for 10 ns;  
    assert q0a = q0b and q1a = q1b and q2a = q2b and q3a = q3b  
        report "implementations have different outputs"  
        severity error;  
    wait on d0, d1, d2, d3, en, clk;  
end process verify;  
end architecture regression;
```

Design Processing

- Analysis
- Elaboration
- Simulation
- Synthesis

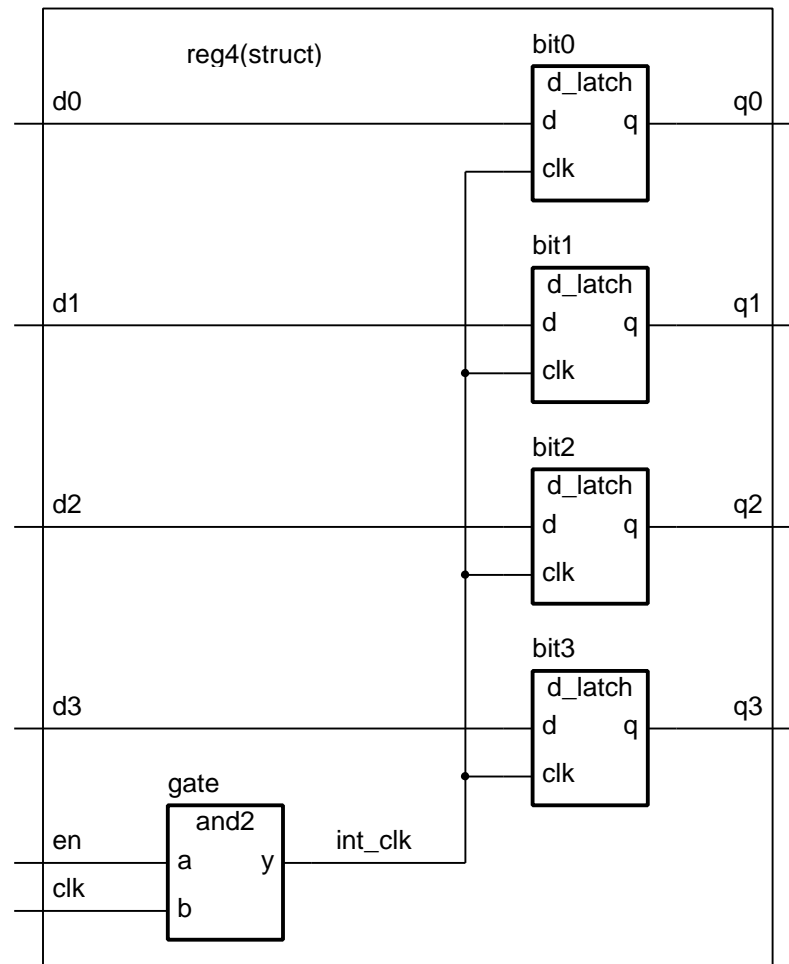
Analysis

- Check for syntax and semantic errors
 - syntax: grammar of the language
 - semantics: the meaning of the model
- Analyze each *design unit* separately
 - entity declaration
 - architecture body
 - ...
 - best if each design unit is in a separate file
- Analyzed design units are placed in a *library*
 - in an implementation dependent internal form
 - current library is called work

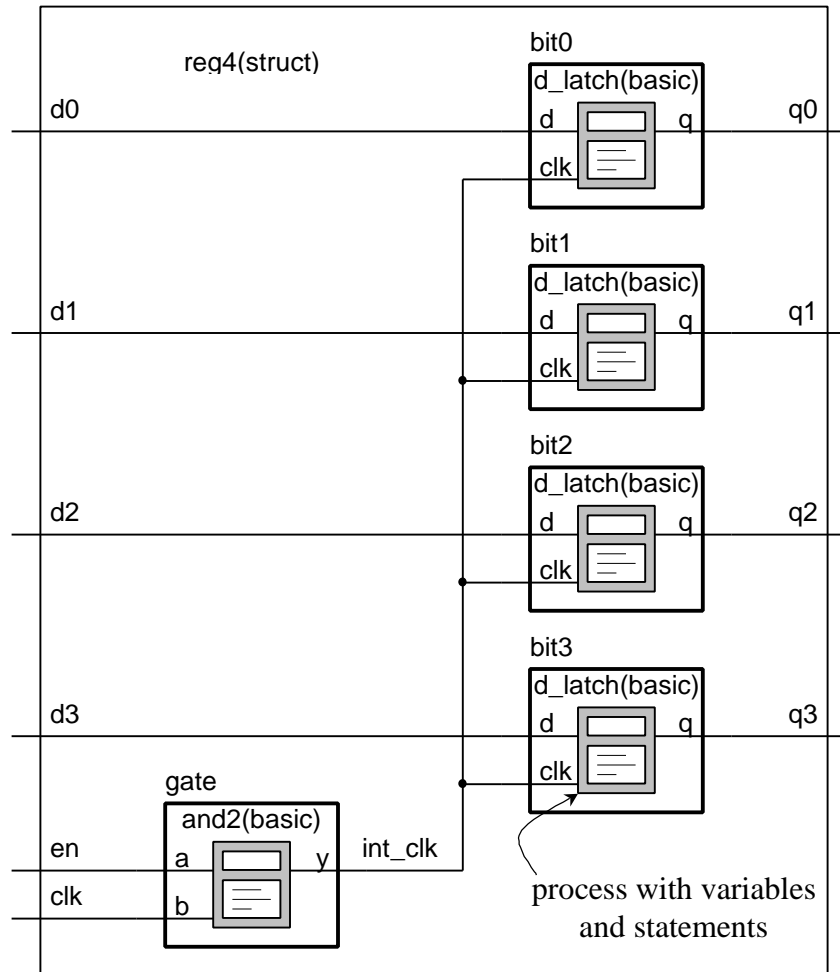
Elaboration

- “Flattening” the design hierarchy
 - create ports
 - create signals and processes within architecture body
 - for each component instance, copy instantiated entity and architecture body
 - repeat recursively
 - bottom out at purely behavioral architecture bodies
- Final result of elaboration
 - flat collection of signal nets and processes

Elaboration Example



Elaboration Example



Simulation

- Execution of the processes in the elaborated model
- Discrete event simulation
 - time advances in discrete steps
 - when signal values change—*events*
- A processes is sensitive to events on input signals
 - specified in wait statements
 - resumes and schedules new values on output signals
 - schedules *transactions*
 - event on a signal if new value different from old value

Simulation Algorithm

- Initialization phase
 - each signal is given its initial value
 - simulation time set to 0
 - for each process
 - activate
 - execute until a wait statement, then suspend
 - execution usually involves scheduling transactions on signals for later times

Simulation Algorithm

- Simulation cycle
 - advance simulation time to time of next transaction
 - for each transaction at this time
 - update signal value
 - event if new value is different from old value
 - for each process sensitive to any of these events, or whose “wait for ...” time-out has expired
 - resume
 - execute until a wait statement, then suspend
- Simulation finishes when there are no further scheduled transactions

Synthesis

- Translates register-transfer-level (RTL) design into gate-level netlist
- Restrictions on coding style for RTL model
- Tool dependent
 - see lab notes

Basic Design Methodology

